



STROMIZMERITEL

## **/ CONVEYORS, SHUTTLES**



- MODELS
- APPLICATION

- CHARACTERISTICS
- SPECIFICATION



## Contents:

General information.....	2
Flat-belt conveyor KLP-500.....	3
Distributing conveyor KRP-800.....	5
Stationary belt conveyor KLS-500.....	7
Stationary belt conveyor KLS-650.....	9
Stationary belt conveyor KLS-800.....	11
Stationary belt conveyor KLS-1000.....	13
Shuttle conveyor KCH-650-5000.....	15
Screw conveyor KVSZH-315.....	17
Screw conveyor KVSZH-500.....	19



## *Stationary and mobile belt conveyors, screw conveyors, shuttle conveyors, swinging conveyors*

The stationary and mobile belt conveyors manufactured by “Stromizmeritel” are intended not only for transporting of free-flowing and small lump materials, but also for switching of transportation flows and redistribution of raw material into the hoppers. The configuration of the stationary conveyors includes a full-scale sealing of the whole materials passing channel, cages for moving parts and emergency cord switches, securing the required operation safety. “Stromizmeritel” manufactures open-type or semi-closed conveyors, horizontal, inclined conveyors or conveyors with a changing inclination angle, as well as conveyors with a screw or vertical gravity take-up.

The main technical data of the stationary conveyors:

Capacity, m <sup>3</sup> /hour	50-350
Belt width, mm	500-1000
Transportation distance, m	4-200
Belt motion speed, m/sec	0,5-2
Installed capacity of the electric drive, kW	1,5-45

Apart from the stationary belt conveyors we manufacture shuttle conveyors, which are shuttles distributing the glass mixture into the hoppers of the glass mixture chargers of the glass furnace, and swinging conveyors for feeding of the conveyed material into the group of four or six silos.

Screw feeders and screw conveyors manufactured by “Stromizmeritel” are used for moving free-flowing, poorly flowing and caking materials with different physical and chemical properties.

The screw conveyors usually have a channeled case and differ from the feeders by a strengthened screw structure. They are equipped with a high-powered drive with increased load capacity, what allows operating such conveyors with full interturn rooms and big angles.

Manufacturing of the reversible and turning screw conveyors distributing the conveyed material among several feed bins or silos is possible.

Apart from manufacturing the conveyors of usual industrial configuration we produce screw conveyors of stainless steel as well as abrasion-resistant and heat-resistant conveyors.

# FLAT-BELT CONVEYOR

## KLP-500

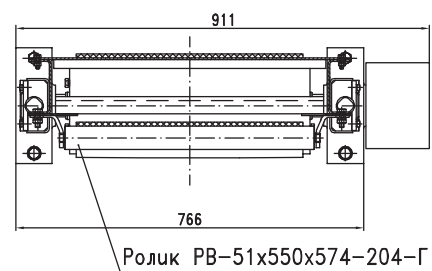
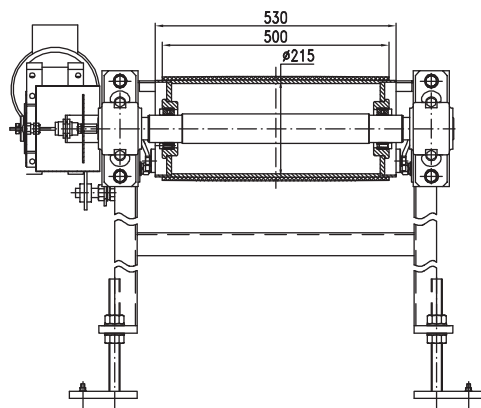
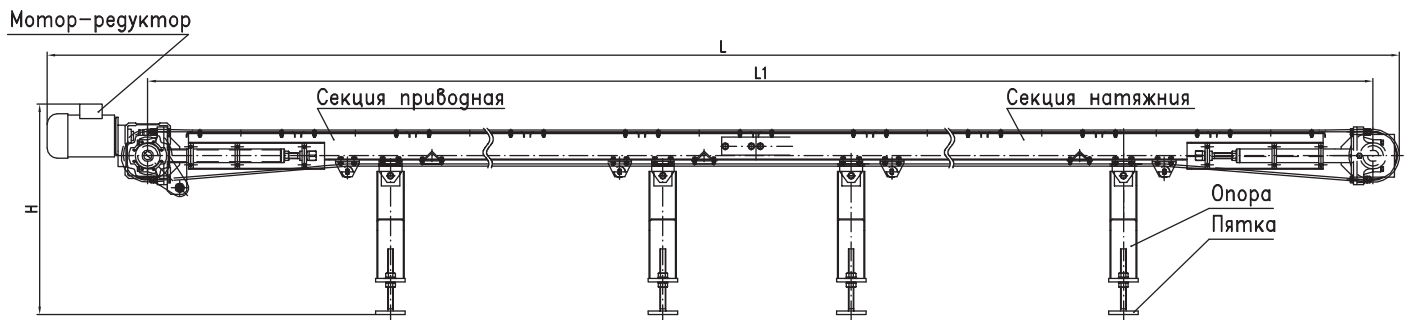
### APPLICATION

The flat-belt conveyor is designed for transportation of noncaking and nonsticking granular materials with humidity of not more than 3 % in a horizontal or inclined direction of up to 15° in industrial premises at an ambient temperature of -30° to +50°.

### BASIC TECHNICAL SPECIFICATIONS

Parameter name	Parameter value
Belt width, mm	500
Length between drum axes of a power-drive station and tension station, mm	2000...14000
Maximum belt speed, m/s	0,8
Driving drum diameter, mm	215
Tension drum diameter, mm	215
Maximum driving drum rotational frequency, rev./min.	71
Type of tensioning device / tension length, mm	Screw-type/ 150
Electric power supply voltage, V	380
Electric energy input, kW	0,75...7,5

## Конвейер ленточный плоский КЛП-500



## DISTRIBUTING CONVEYOR KRP-800

### APPLICATION

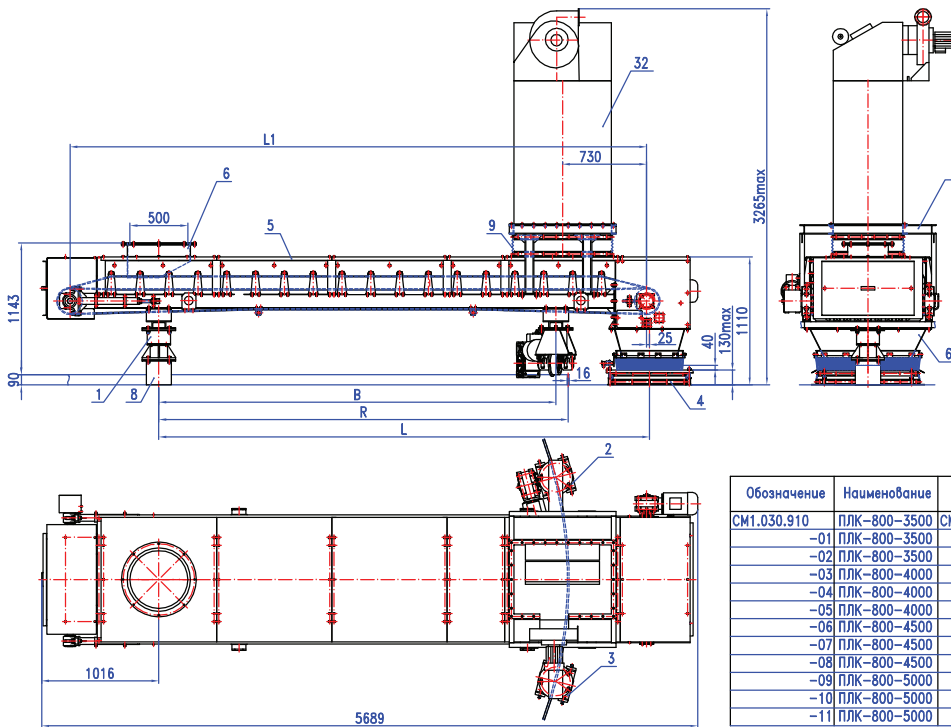
The distributing conveyor is designed for transportation of noncaking and nonsticking granular materials with humidity of not more than 3 % in a horizontal or inclined direction of up to 15° in industrial premises at an ambient temperature of -30° to +50°.

### BASIC TECHNICAL SPECIFICATIONS

Parameter name	Parameter value
Belt width, mm	800
Length between drum axes of a power-drive station and tension station, mm:	ref. mounting drawing
Rated output, t/h (m <sup>3</sup> /h)	25 (14)*
Belt speed, m/s	0,8
Driving drum rotational frequency, об/мин	71
Driving drum diameter, mm	215
Tension drum diameter, mm	215
Charging cones quantity	1
Tensioning device type / tension length, mm	Screw-type/ 150
Electric power supply voltage, V	380
Electric energy input, kW:	3,0

\* - productivity of an elevator should be specified before an order and it depends on conditions of work, characteristics of cargo and other factors. Productivity listed in the table for material with density 1,75 g/cm<sup>3</sup>.

## Кенвейер-распределитель поворотный КРП-800



1	СМ1.014.292	Узел подшипниковый	1
2	СМ1.014.523	Узел колеса приводного	1
3	СМ1.014.591	Узел колеса неприводного	1
4	СМ1.014.676	Узел загрузки	1
5	СМ1.030.908(00...11)	Конвейер КЛМ-800	1
6	СМ1.030.909	Воронка	1
7	СМ1.030.911	Рама фильтра	1
8	СМ1.030.912	Труба	1
9	СМ1.000.174-32	Рукав	1
10	СМ1.017.202	Кронштейн	1

Обозначение	Наименование	Обозначение конвейера	L, мм	L1, мм	L2, мм	В, мм	R, мм	Тип очистного устройства	Масса, кг
СМ1.030.910	ПЛК-800-3500	СМ1.030.908	2700	3500	4190	1942	2050	Перьевое	1390
-01	ПЛК-800-3500	-01	2700	3500	4190	1942	2050	Торцевое	1390
-02	ПЛК-800-3500	-02	2700	3500	4190	1942	2050	Торцевое+ножевое	1400
-03	ПЛК-800-4000	-03	3200	4000	4690	2442	2550	Перьевое	1460
-04	ПЛК-800-4000	-04	3200	4000	4690	2442	2550	Торцевое	1460
-05	ПЛК-800-4000	-05	3200	4000	4690	2442	2550	Торцевое+ножевое	1470
-06	ПЛК-800-4500	-06	3700	4500	5190	2942	3050	Перьевое	1530
-07	ПЛК-800-4500	-07	3700	4500	5190	2942	3050	Торцевое	1530
-08	ПЛК-800-4500	-08	3700	4500	5190	2942	3050	Торцевое+ножевое	1540
-09	ПЛК-800-5000	-09	4200	5000	5690	3442	3550	Перьевое	1600
-10	ПЛК-800-5000	-10	4200	5000	5690	3442	3550	Торцевое	1600
-11	ПЛК-800-5000	-11	4200	5000	5690	3442	3550	Торцевое+ножевое	1610



# STATIONARY BELT CONVEYOR KLS-500

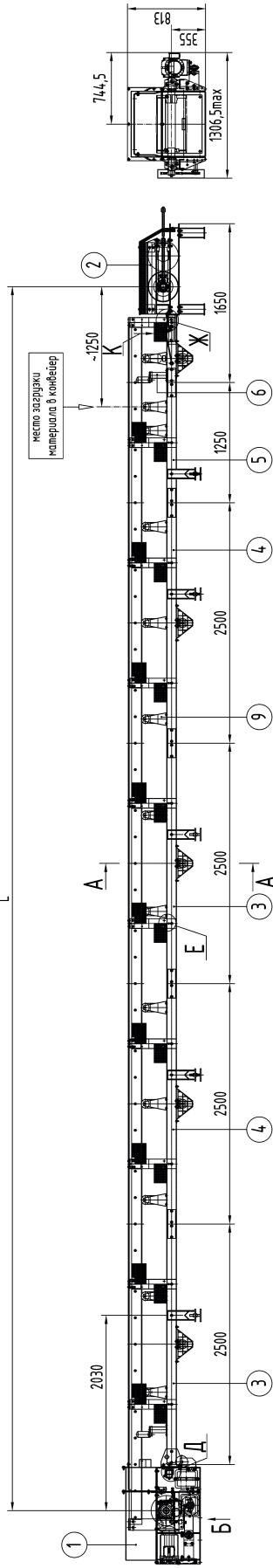
## APPLICATION

This stationary belt conveyor is designed for transportation of granular materials with an angle of natural slope of not more than 60° and humidity of not more than 4 % in a horizontal or inclined direction of up to 15° in industrial premises at an ambient temperature of -30° to +50°.

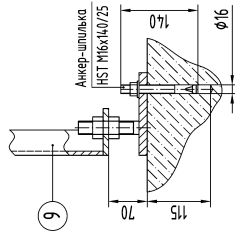
## BASIC TECHNICAL SPECIFICATIONS

Parameter name	Parameter value
Belt width, mm	500
Belt speed, m/s	up to 1,5
Rated output, m <sup>3</sup> /h	up to 80
Driving drum diameter, mm	315...420
Tension drum diameter, mm	315
Belt type	500 EP 400/3 4/2 Y
Roller carriage design	2-roller grooved
Type of motor reduction unit	Cone – parallel UD-KA
Driving position	right/left
Tensioning device type	screw/take up by gravity
Electric power supply voltage, V	380±38
Electrical frequency, Hz	50±1

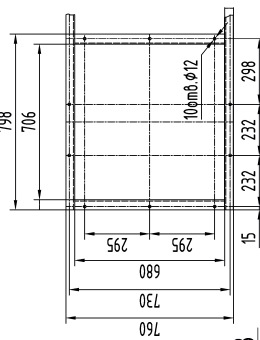
Конвейер ленточный стационарный КЛС-500



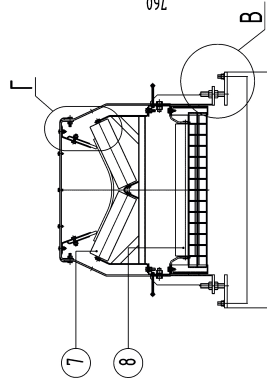
В  
(Рекомендуемое)



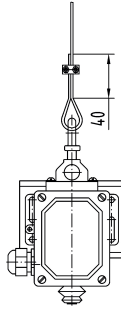
Б  
Крепление разгрузочной воронки



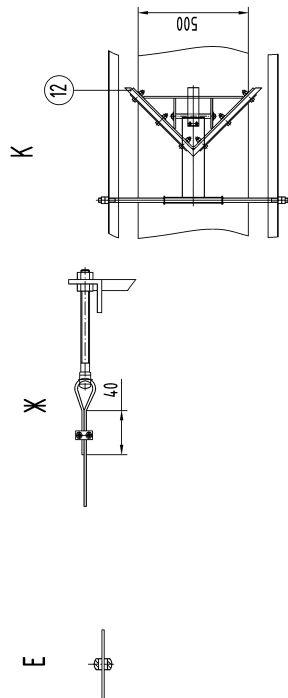
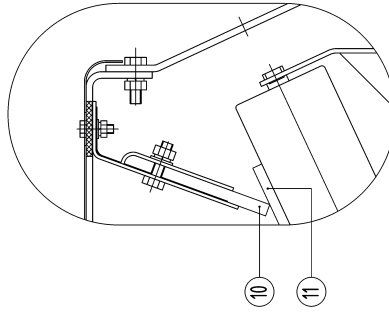
А-А



Д



Г



- 7 Ролик РВ-89х310-340-204-Г
- 8 Ролик РВ-89х600-624-204-Г
- 9 Опора
- 10 Борт уплотнительный
- 11 Лента 500 EP 400/3 4/2 У
- 12 Очиститель плужковый 500

- 1 Станция приводная 500
- 2 Станция натяжная 500
- 3 Секция 500-2500/2
- 4 Секция 500-2500/3
- 5 Секция 500-1250/1
- 6 Ролик дефлекторный

STROMIZMERITEL

34-A, Sovnarkomovskaya Str., Nizhny Novgorod, 603086, Russia  
Phone/Fax: +7 (831) 435-13-70, 8 (800) 550-59-70. E-mail: stromizmeritel@rambler.ru



# STATIONARY BELT CONVEYOR KLS-650

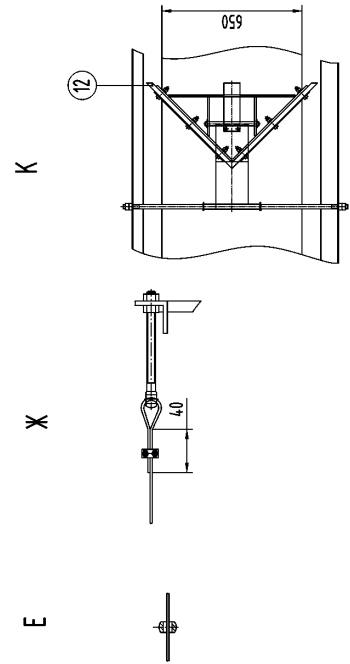
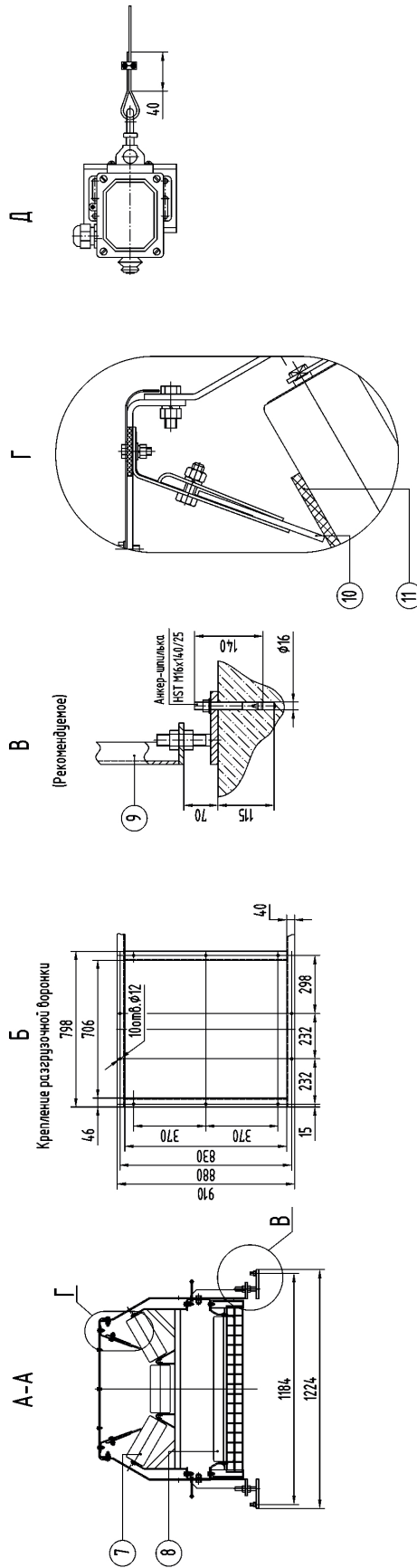
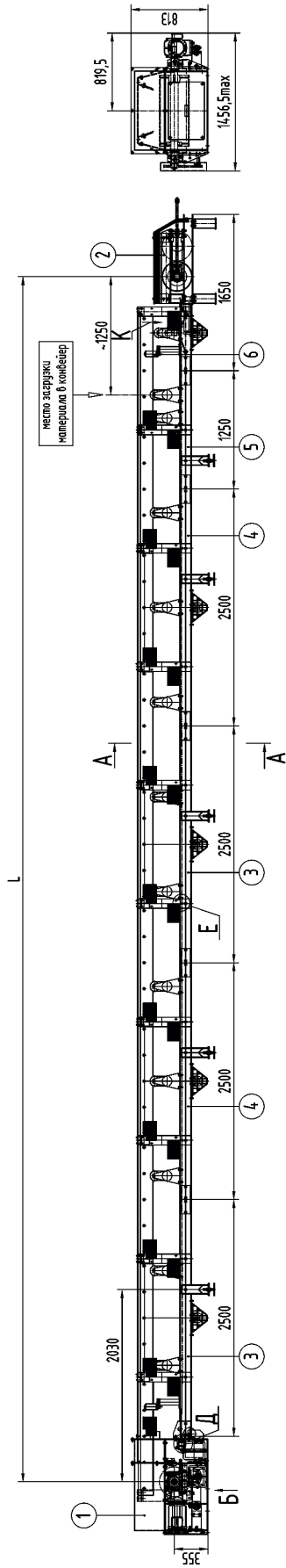
## APPLICATION

This stationary belt conveyor is designed for transportation of granular and powder materials with an angle of natural slope of not more than 60° and humidity of not more than 4 % in a horizontal or inclined direction of up to 15° in industrial premises at an ambient temperature of -30° to +50°.

## BASIC TECHNICAL SPECIFICATIONS

Parameter name	Parameter value
Belt width, mm	650
Belt speed, m/s	up to 1,5
Rated output, m <sup>3</sup> /h	up to 100
Driving drum diameter, mm	315...500
Tension drum diameter, mm	315
Belt type	650 EP 400/3 4/2 Y
Roller carriage design	3-roller grooved
Type of motor reduction unit	Cone – parallel UD-KA
Driving position	right/left
Tensioning device type	screw/take up by gravity
Electric power supply voltage, V	380±38
Electrical frequency, Hz	50±1

Конвейер ленточный стационарный К/ЛС-650



- |  |  |
|--|--|
| <ul style="list-style-type: none"> <li>① Станция приводная 650</li> <li>② Станция натяжная 650</li> <li>③ Секция 650-2500/2</li> <li>④ Секция 650-2500/3</li> <li>⑤ Секция 650-1250/1</li> <li>⑥ Ролик дефлекторный</li> </ul> | <ul style="list-style-type: none"> <li>⑦ Ролик РВ-102x245-275-204-Г</li> <li>⑧ Ролик РВ-102x750-774-204-Г</li> <li>⑨ Опора</li> <li>⑩ Борт уплотнительный</li> <li>⑪ Лента 650 EP 400/3 4/2 Y</li> <li>⑫ Очиститель плужковый 650</li> </ul> |
|--|--|

STROMIZMERITEL

34-A, Sovnarkomovskaya Str., Nizhny Novgorod, 603086, Russia

Phone/Fax: +7 (831) 435-13-70, 8 (800) 550-59-70. E-mail: stromizmeritel@rambler.ru



# STATIONARY BELT CONVEYOR KLS-800

## APPLICATION

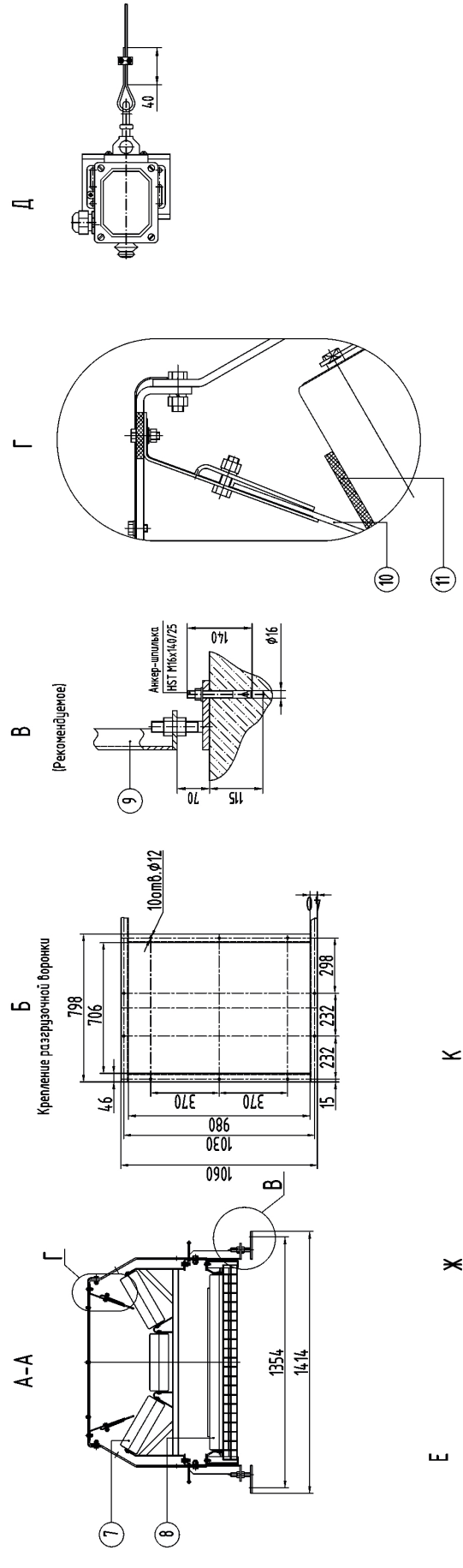
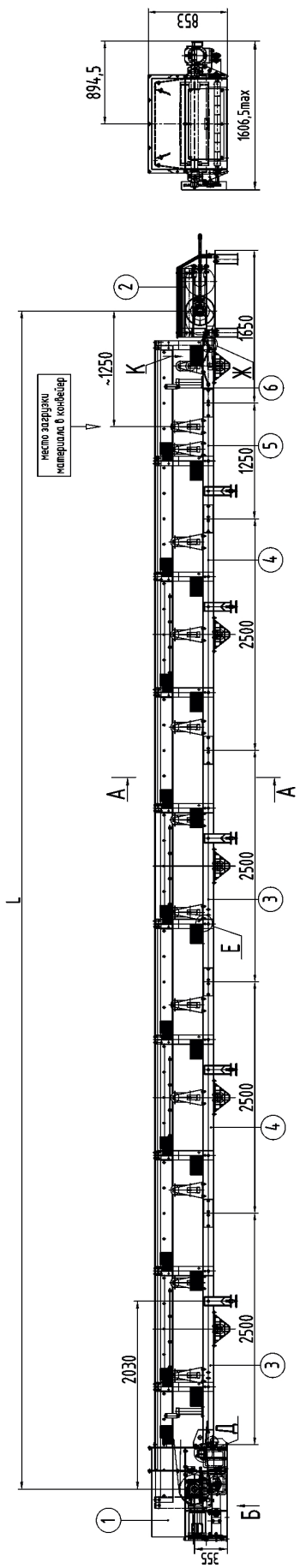
This stationary belt conveyor is designed for transportation of granular and powder materials with an angle of natural slope of not more than 60° and humidity of not more than 4 % in a horizontal or inclined direction of up to 15° in industrial premises at an ambient temperature of -30° to +50°.

## BASIC TECHNICAL SPECIFICATIONS

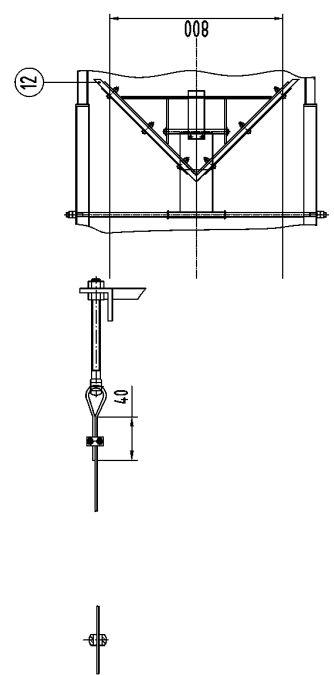
Parameter name	Parameter value
Belt width, mm	800
Belt speed, m/s	up to 1,5
Rated output, m <sup>3</sup> /h	up to 150
Driving drum diameter, mm	315... 500
Tension drum diameter, mm	315
Belt type	800 EP 400/3 4/2 Y
Roller carriage design	3-roller grooved
Type of motor reduction unit	Cone – parallel UD-KA
Driving position	right/left
Tensioning device type	screw/take up by gravity
Electric power supply voltage, V	380±38
Electrical frequency, Hz	50±1



Конвейер ленточный стационарный К/ЛС-800



- |  |  |
|--|--|
| <ul style="list-style-type: none"> <li>① Станция приводная 800</li> <li>② Станция натяжная 800</li> <li>③ Секция 800-2500/2</li> <li>④ Секция 800-2500/3</li> <li>⑤ Секция 800-1250/1</li> <li>⑥ Ролик дефлекторный</li> </ul> | <ul style="list-style-type: none"> <li>⑦ Ролик РВ-102х310-340-204-Г</li> <li>⑧ Ролик РВ-102х950-976-204-Г</li> <li>⑨ Опора</li> <li>⑩ Борт уплотнительный</li> <li>⑪ Лента 800 EP 400/3 4/2 Y</li> <li>⑫ Очиститель плужковый 800</li> </ul> |
|--|--|



**STROMIZMERITEL**

34-A, Sovnarkomovskaya Str., Nizhny Novgorod, 603086, Russia  
 Phone/Fax: +7 (831) 435-13-70, 8 (800) 550-59-70. E-mail: stromizmeritel@rambler.ru



# STATIONARY BELT CONVEYOR KLS-1000

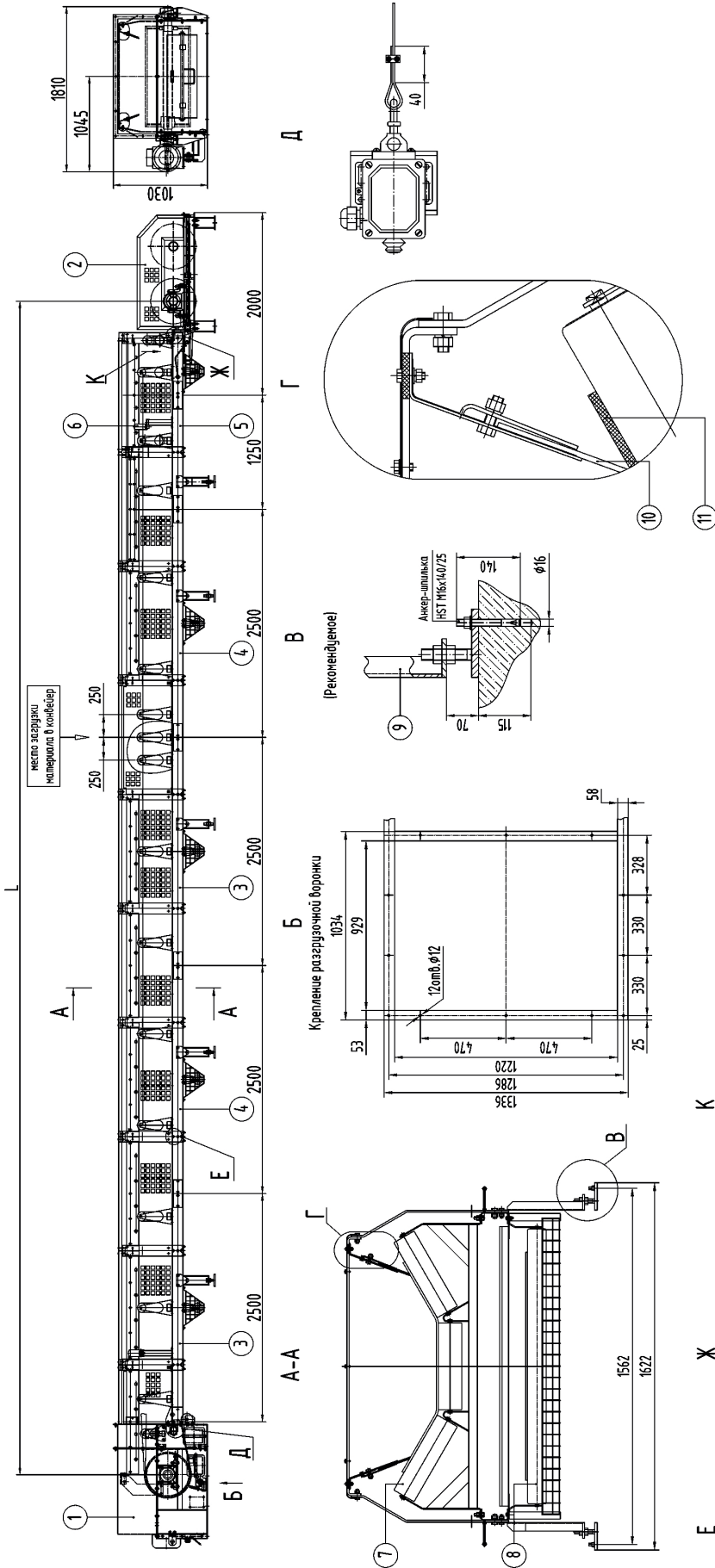
## APPLICATION

This stationary belt conveyor is designed for transportation of granular and powder materials with an angle of natural slope of not more than 60° and humidity of not more than 4 % in a horizontal or inclined direction of up to 15° in industrial premises at an ambient temperature of -30° to +50°.

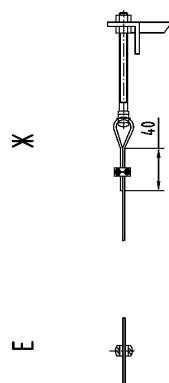
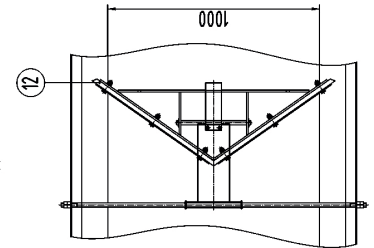
## BASIC TECHNICAL SPECIFICATIONS

Parameter name	Parameter value
Belt width, mm	1000
Belt speed, m/s	up to 1,5
Rated output, m <sup>3</sup> /h	up to 220
Driving drum diameter, mm	500
Tension drum diameter, mm	420
Belt type	1000 EP 400/3 4/2 Y
Roller carriage design	3-roller grooved
Type of motor reduction unit	Cone – parallel UD-KA
Driving position	right/left
Tensioning device type	screw/take up by gravity
Electric power supply voltage, V	380±38
Electrical frequency, Hz	50±1

Конвейер ленточный стационарный КЛС-1000



- |   |  |
|---|--|
| <ul style="list-style-type: none"> <li>① Станция приводная 1000</li> <li>② Станция натяжная 1000</li> <li>③ Секция 1000-2500/2</li> <li>④ Секция 1000-2500/3</li> <li>⑤ Секция 1000-1250/1</li> <li>⑥ Ролик дефлекторный</li> </ul> | <ul style="list-style-type: none"> <li>⑦ Ролик РВ-102х380-4.10-204-Г</li> <li>⑧ Ролик РВ-102х150-1180-204-Г</li> <li>⑨ Опора</li> <li>⑩ Борт уплотнительный</li> <li>⑪ Лента 1000 EP 400/3 4/2 Y</li> <li>⑫ Очиститель плужковый 1000</li> </ul> |
|---|--|



## SHUTTLE CONVEYOR KCH-650-5000

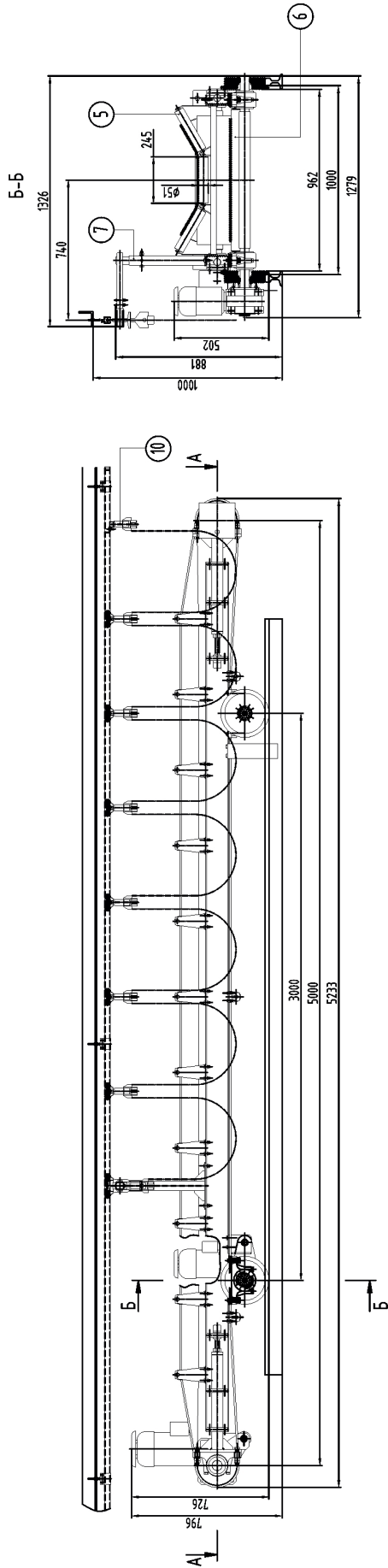
### APPLICATION

Shuttle conveyor KCH-650-5000 is used for transportation of various free-flowing fine-grained and lump noncaking and nonsticking materials with mesh size up to 30 mm and with bulk density up to 2 g/cm<sup>3</sup> and with an angle of natural slope of not more than 60° and humidity of not more than 3 % in a horizontal direction in industrial premises at an ambient temperature of -20° to +60°

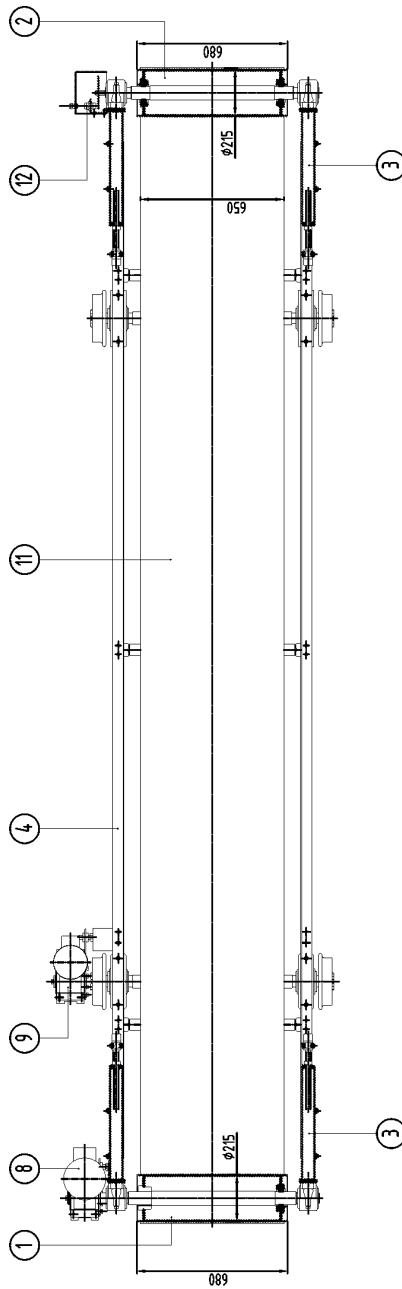
### BASIC TECHNICAL SPECIFICATIONS

Parameter name	Value
Belt width, mm	650
Length between drum axes of a power-drive station and tension station, mm	5000
Rated capacity, t/hour (m <sup>3</sup> /hour)	63(36)
Belt running speed, m/s	0,53
Railroad rail type (GOST 6368-82)	R18
Wheel gauge, mm	1000
Conveyor running speed, m/s	0,13
Rotation frequency of driving drum, rpm	47
Rotation frequency of axle drive shaft, rpm	11,5
Tensioning device type / tension length, mm	Screw-type / 150
Electric energy input of driving drum, kW	2,2
Gear motor electric energy input of axle drive shaft, kW	0,55
Electric power supply voltage, V	380±38
Electrical frequency, Hz	50±1
Conveyor mass, kg	670

Конвейер – челнок КЧ-650-П-5000



A-A



- ① Барабан приводной в сборе
- ② Барабан натяжной в сборе
- ③ Ползун
- ④ Рама ходовая
- ⑤ Ролик РВ-51х245х275-204-Г
- ⑥ Ролик РВ-51х750х774-204-Г

- ⑦ Водило кареток кабельных
- ⑧ Motor-редуктор привода ленты
- ⑨ Motor-редуктор привода рамы ходовой
- ⑩ Трасса кабельная
- ⑪ Лента 650 EP 400/3 4/2 Y T1
- ⑫ Датчик движения ленты

STROMIZMERITEL

34-A, Sovnarkomovskaya Str., Nizhny Novgorod, 603086, Russia  
 Phone/Fax: +7 (831) 435-13-70, 8 (800) 550-59-70. E-mail: stromizmeritel@rambler.ru





## SCREW CONVEYOR

### KVSZH-315

### APPLICATION

Screw conveyor KVSZH-315 is used for moving free-flowing, poorly flowing and caking materials with coefficient of conveyor charge from 0,125 to 0,4 (depending on material properties) in different industries. Capability of conveying material in each case depends on material properties specified in screw conveyor survey.

The screw conveyors are equipped with a high-powered drive with increased load capacity, what allows operating such conveyors with full interturn rooms and big angles. Manufacturing of the reversible and turning screw conveyors distributing the conveyed material among several feed bins or silos is possible. Apart from manufacturing the conveyors of usual industrial configuration Stromizmeritel produces screw conveyors of stainless steel as well as abrasion-resistant and heat-resistant conveyors.

Conditions of the screw conveyor operation:

- ambient temperature, °C (K).....from -30 to +40 (243...313)
- relative air humidity, %.....90 (at t=25°C)
- atmosphere pressure, kPa (mm Hg),.....84-106,7 (630-800)
- electric power supply parameters are indicated in the table.

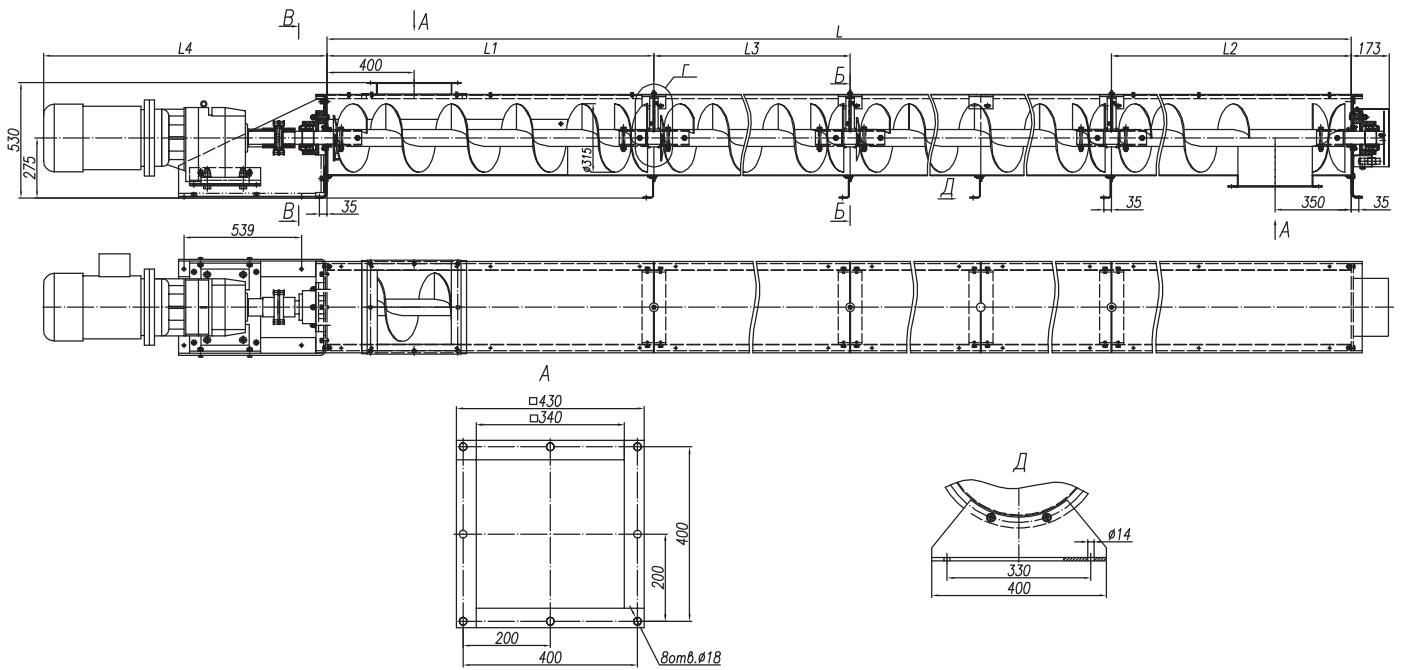
### BASIC TECHNICAL SPECIFICATIONS

Parameter name	Value
Screw diameter, m	0,315
Lead of a screw, m	0,315
Conveyor length *, m	3...30
Screw rotational frequency, rpm	71...76
Maximum coefficient of conveyor charge	0,4
Approximately productivity, m <sup>3</sup> /hour	40
Driving power **, kW	2,2... 15
Gear motor type	Variable parameter
IP level sealing protection of electric motor	IP55
Electric power supply voltage, V	380±38

\*Conveyor trough length is listed in the table

\*\* Driving power depends on the bulk density of the conveyed material

## Конвейер винтовой КВСЖ-315



STROMIZMERITEL

34-A, Sovnarkomovskaya Str., Nizhny Novgorod, 603086, Russia

Phone/Fax: +7 (831) 435-13-70, 8 (800) 550-59-70. E-mail: stromizmeritel@rambler.ru

## SCREW CONVEYOR

### KVSZH-500

### APPLICATION

Screw conveyor KVSZH-500 is used for moving free-flowing, poorly flowing and caking materials with coefficient of conveyor charge from 0,125 to 0,4 (depending on material properties) in different industries. Capability of conveying material in each case depends on material properties specified in screw conveyor survey.

The screw conveyors are equipped with a high-powered drive with increased load capacity, what allows operating such conveyors with full interturn rooms and big angles. Manufacturing of the reversible and turning screw conveyors distributing the conveyed material among several feed bins or silos is possible. Apart from manufacturing the conveyors of usual industrial configuration Stromizmeritel produces screw conveyors of stainless steel as well as abrasion-resistant and heat-resistant conveyors.

Conditions of the screw conveyor operation:

- ambient temperature, °C (K).....from -30 to +40 (243...313)
- relative air humidity, %.....90 (at t=25°C)
- atmosphere pressure, kPa (mm Hg),.....84-106,7 (630-800)
- electric power supply parameters are indicated in the table.

### BASIC TECHNICAL SPECIFICATIONS

Parameter name	Value
Screw diameter, m	0,5
Lead of a screw, m	0,5
Conveyor length *, m	4...30
Screw rotational frequency, rpm	47...50
Maximum coefficient of conveyor charge	0,4
Approximately productivity, m <sup>3</sup> /hour	95
Driving power **, kW	7.5...30
Gear motor type	Variable parameter
IP level sealing protection of electric motor	IP55
Electric power supply voltage, V	380±38

\*Conveyor trough length is listed in the table

\*\* Driving power depends on the bulk density of the conveyed material

Конвейер винтовой КВСЖ-500

